

# moviroll

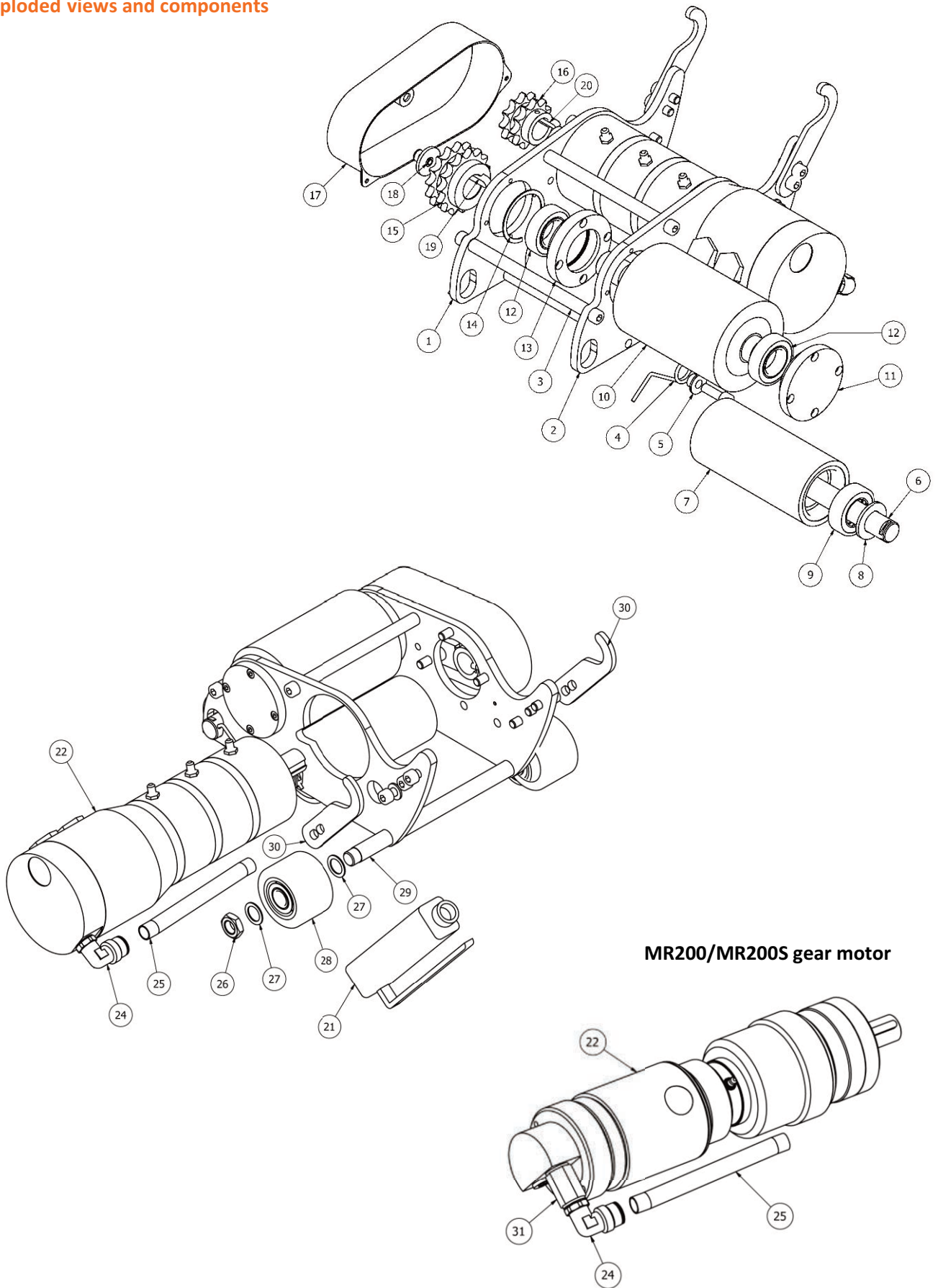
pneumatic roll pusher



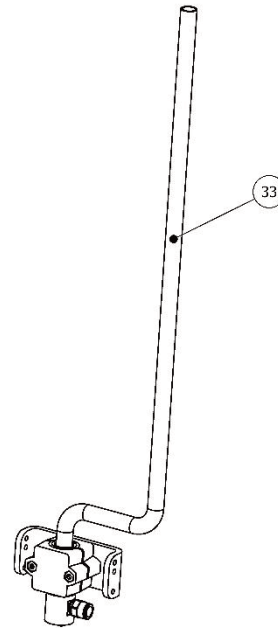
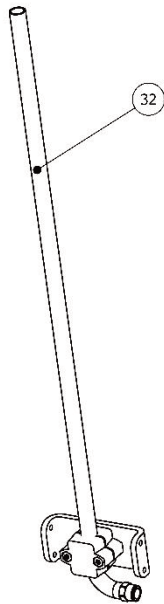
## SPARES LIST



Exploded views and components



Position	Description	Code		Quantity
		MR100 MR100S	MR200 MR200S	
1	<i>chassis right side cover</i>	MVRP0002	MVRP0033	1
2	<i>chassis left side cover</i>	MVRP0001	MVRP0032	1
3	<i>chassis pull-rod</i>	MVRP0021	MVRP0021	3
4	<i>spring</i>	MVRP0019	MVRP0019	2
5	<i>spring support</i>	MVRP0020	MVRP0020	2
6	<i>rubber roller axis</i>	MVRP0015	MVRP0015	2
7	<i>assembled rubber roller</i>	MVRP0018	MVRP0018	2
8	<i>galvanized washer</i>	R60-0005	R60-0005	4
9	<i>ball bearing for pos. 7</i>	C30-0008	C30-0008	4
10	<i>rubber shaft</i>	MVRP0031	MVRP0031	1
11	<i>closed flange for pos. 10</i>	MVRP0024	MVRP0024	1
12	<i>ball bearing for pos. 10</i>	C30-0004	C30-0004	2
13	<i>open flange for pos. 10</i>	MVRP0025	MVRP0025	1
14	<i>seeger ring for internal hole</i>	A70-0003	A70-0003	1
15	<i>gear box double roller drive for pos. 10</i>	I30-0001	I30-0001	1
16	<i>gear box double gear chain pos. 22</i>	I30-0002	I30-0002	1
17	<i>chain gear box – roller drive cover</i>	MVRP0026	MVRP0026	1
18	<i>oversized plain washer</i>	R60-0004	R60-0004	1
19	<i>rounded key for pos. 10</i>	L51-0004	L51-0004	1
20	<i>rounded key for pos. 22</i>	L51-0005	L51-0005	1
21	<i>air valve</i>	P50-0001	P50-0001	1
22	<i>gear motor</i>	M70-0001	M70-0002	1
23	<i>pipe fitting 90°</i>	R10-0002	R10-0002	1
24	<i>rapid fitting 90°</i>	I40-0005	I40-0005	1
25	<i>air supply pipe-motor</i>	T80-0001	T80-0001	1
26	<i>hexagon nut</i>	D14-0001	D14-0001	2
27	<i>wheels washer</i>	R60-0001	R60-0001	4
28	<i>rear wheels</i>	MVRP0013	MVRP0013	2
29	<i>rear wheels axis</i>	MVRP0010	MVRP0010	1
30	<i>mechanical stop for curved handle 'S'</i>	MVRP0009	MVPR0009	2
31	<i>extention fitting M/F 3/8"G</i>	/	MVPR0035	1



Position	Description	Code	
		MR100 MR100S	MR200 MR200S
	<i>air supply kit</i>	MVRK001	MVRK001
32	<i>straight handle kit</i>	MVRK002	MVRK002
33	<i>curved handle kit</i>	MVRK003	MVRK003

To order spares please contact Jarshire on

**01753 825122**

or email [sales@jarshire.co.uk](mailto:sales@jarshire.co.uk)