



battery roll pusher

MRE 100 | MRE 100 S

MRE 200 | MRE 200 S

MRE 300 | MRE 300 S

SPARES LIST



SPARE PARTS REQUEST

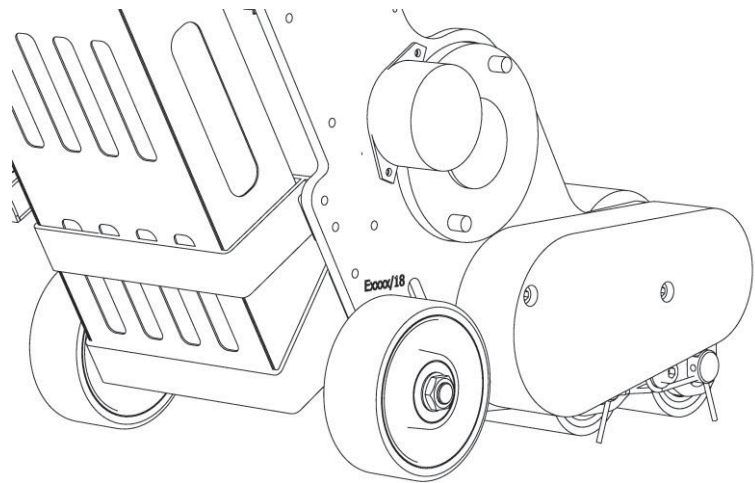
Please always communicate the serial number of your **moviroll** when requiring spare parts together with the code of the spare parts needed.

Each **moviroll** is provided with its serial number.

Please find the serial number of your **moviroll** stamped on the **moviroll** frame, above the rear wheel.

Example in the picture on the right.

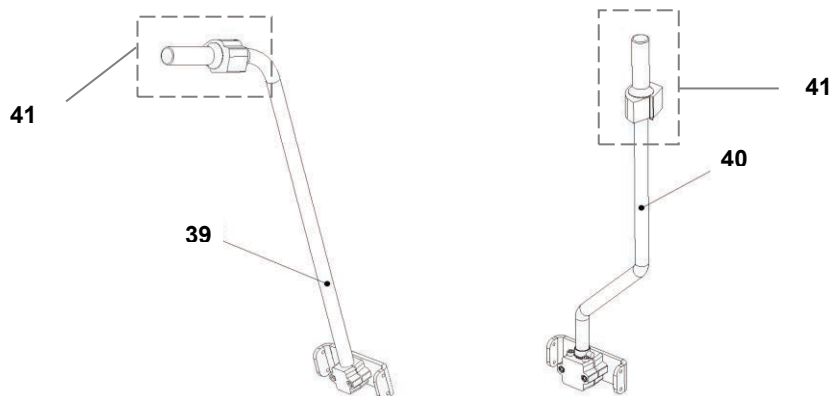
Please find the serial number also on the warranty sheet provided with the **moviroll** and on the Declaration of Conformity in this manual.



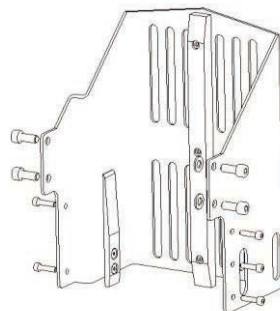
19	C30-0008	C30-0008	C30-0008	ball bearing for rubber roller
20	D14-0002	D14-0002	D14-0002	bolt for wheels
21	E50-0001	E50-0001	E50-0001	battery plug
22	I30-0003	I30-0003	I30-0003	sprocket for roller drive
23	I30-0004	I30-0004	I30-0004	sprocket for gearbox input
24	I30-0013	I30-0013	I30-0017	double gear chain for gear box**
25	I30-0014	I30-0014	I30-0016	double gear chain for roller drive**
26	R60-0001	R60-0001	R60-0001	washer for wheels
27	R60-0005	R60-0005	R60-0005	washer for rubber roller
28	R95-0001	R95-0001	R95-0001	rubber wheel
29	S15-0015	S15-0015	S15-0015	electronic board
30	S15-0020	S15-0020	S15-0020	on/off switch
31	S15-0021	S15-0021	S15-0021	rubber cover for on/off switch
32	S20-0002	S20-0002	S20-0002	battery status LEDs
33	M65-0001	M65-0001	M65-0001	motor 24V DC
34	R50-0001	R50-0003	R50-0004	gear box
35	V50-0016	V50-0016	V50-0016	gearbox – roller drive cover screw
36	V50-0037	V50-0037	V50-0037	motor-gearbox cover screw
37	S15-0023	S15-0023	S15-0023	Fuse MRE
38	MREP0028	MREP0028	MREP0028	Motor wires cover

* triple chain just for MRE300 and MRE300S

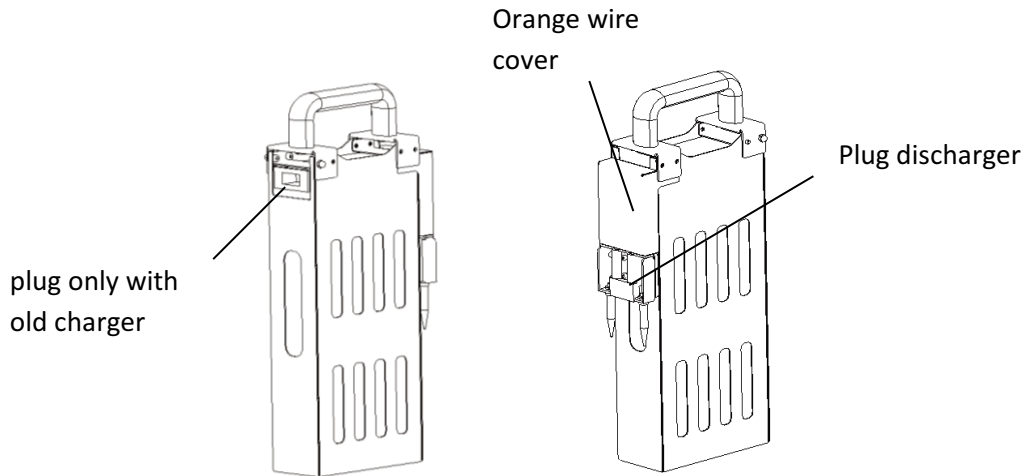
** triple gear chain just for MRE300 and MRE300S



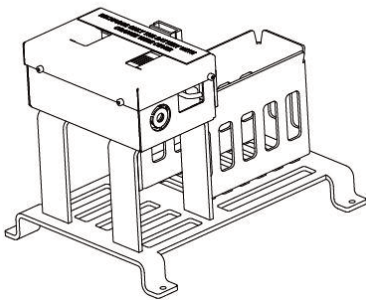
39	MREK0013	straight handle
40	MREK0009	curved handle 'S'
41	A20-0005	throttle for both straight and curved handles



	MREK0042	Extended battery guide
--	----------	------------------------



	KITBATT	24 V battery
--	---------	--------------



Use this battery charger only with the batteries with the orange wire cover

DO NOT use with any other battery

	KITCHRS220	charger 220V 50-60 Hz
	KITCHRS110	charger USA 110V 50-60 Hz

To order spares please contact Jarshire on

01753 825122

or email sales@jarshire.co.uk