

 **moviroll**

battery roll pusher

MRE 100 XS | MRE 200 XS | MRE 300 XS
MRE 100 XS L | MRE 200 XS L | MRE 300 XS L
MRE 100 XS LPT | MRE 200 XS LPT | MRE 300 XS LPT

OPERATING INSTRUCTIONS



JARSHIRE
SINCE 1979

This product complies with the Directive 2006/42/CE

© Copyright Renova Srl, 2013. All rights reserved.

MANMREXSENA4V0421

index

introduction	page 4
warning	page 4
general warnings	page 4
assistance	page 5
general instructions	page 5
initial content of the box.....	page 5
appliance and components descriptions	page 5
packaging	page 6
serial number	page 6
instructions for use	page 6
battery status	page 7
battery recharge	page 7
battery handling precautions	page 7
battery storage and disposal	page 8
malfunctions diagnosis	page 8
handle height adjustment	page 9
components descriptions and codes	page 10
spare parts request	page 15
instructions for a proper use	page 15
conformity statement	page 16

introduction

Dear customer,

Thank you for purchasing Renova's **moviroll MRE XS / MRE XS LPT / MRE XS L – battery roll pusher**.

We also thank you for the preference you have reserved for this innovative product. We are certain it will satisfy you with its technologically advanced solutions, its in-line and elegant design and its professional quality.

In this manual you will find our instructions for a proper use of this product and the necessary technical information, as well as our advices, to ensure excellent performance over time.

All information contained in this manual have been collected respecting the rules in force, the current state of knowledge of design and construction, our knowledge and our many years of experience.

The instruction manual was translated with all due care and attention. However, we do not accept liability for any translation errors. The Italian version of this instruction manual is definitive.

The warranty does not apply in cases which occur as a result of the Customer's violation of advice concerning operation, incorrect use, improper application, negligence (including but not limited to improper maintenance and storage), accidents, improper installation, modifications (included but not limited to the use of non-original parts or accessories not authorized by Renova), improper adjustment or repair. All parts subject to normal wear are excluded from the guarantee.

warning

CAREFULLY READ THE INSTRUCTIONS AND WARNINGS IN THIS MANUAL AND KEEP THEM FOR FURTHER REFERENCE FOR ENTIRE PRODUCT LIFE. THEY SUPPLY IMPORTANT INSTRUCTIONS REGARDING OPERATIONS AND SAFETY FOR INSTALLING, USING AND MAINTAINING THE PRODUCT.

PLEASE TAKE THE TIME TO READ AND UNDERSTAND THE INSTRUCTIONS COMPLETELY BEFORE THE INSTALLATION AND USE OF THIS PRODUCT.

IN THE EVENT OF A POSSIBLE BREAKDOWN OF THE PRODUCT, THE OPERATOR SHOULD UNDERSTAND THE MANUFACTURER'S INSTRUCTIONS AND BE AWARE OF THE DANGERS, BEFORE ANY CHECK INTERVENTION OR RECOURSE OF RENOVA'S TECHNICAL ASSISTANCE.

general warnings

- **MRE XS / MRE XS LPT / MRE XS L moviroll** is exclusively designed to move cylindrical loads as paper and corrugated rolls, wood and steel rolls, and vehicles.
- **MRE XS / MRE XS LPT / MRE XS L moviroll** must not be used to brake heavy loads which run toward the appliance.
- The workplace must be kept proper of whatever object should be between the machine and the object to move. Any object in between that could create a somersault, a sliding or a fall must be kept away.
- The operator must always be aware that nothing or no one is in the way of the object to be displaced and that no one could be endangered by the moving object.
- Certain fundamental rules must be respected when using any kind of electrical appliance. More specifically:
 - do not leave the appliance exposed to the weather (rain, sun, etc.)
 - do not use the appliance next to flammable material
 - do not let children or incapable persons use the appliance without supervision
- A hearing protection must always be used.
- Do not juxtapose **moviroll** to the coil with the motor already rotating, because it could go into anomaly.

assistance

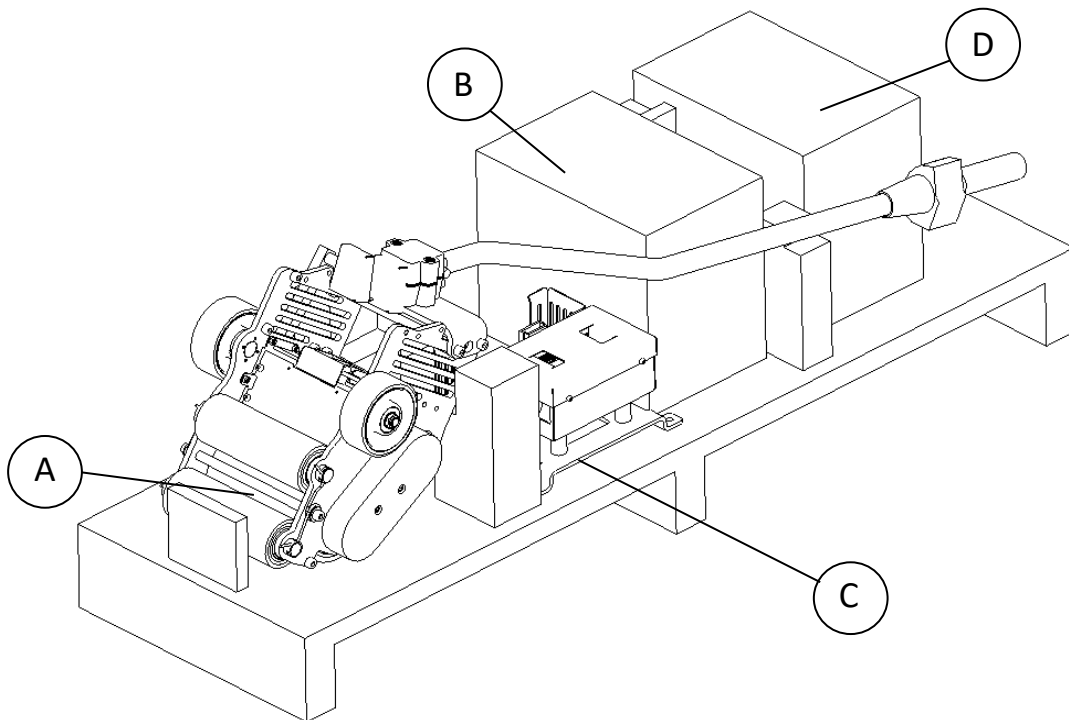
Renova is worldwide present with Agents and Distributors.

Contact Renova support

support@renova-srl.com

general instructions

INITIAL CONTENT OF THE BOX



A	moviroll MRE XS / MRE XS LPT	x1
B	batteries	x2 (optional)
C	battery charger	x1
D	shipment kit	x1

CONTENT DESCRIPTION

MOVIROLL - In the box you can find the **moviroll** model as previously ordered: MRE 100 XS | MRE 200 XS | MRE 300 XS | MRE 100 XS LPT | MRE 200 XS LPT | MRE 300 XS LPT | MRE 100 XS L | MRE 200 XS L | MRE 300 XS L with curved handle 'S'.

BATTERIES - **moviroll** (all models) is provided with a second battery (optional). The two Plug&Play batteries are housed in the box near the **moviroll** system and are ready to be used (battery charge < 30%).

BATTERY CHARGER - MRE XS, MRE XS LPT or MRE XS L **moviroll** is provided with the original battery charger.

SHIPMENT KIT - with spare throttle and plug battery.

PACKAGING

Please do not throw away the wood packaging of your **moviroll** as it might be useful for storage purposes, when moving or, in case of damages, when the device must be sent back to Renova srl.

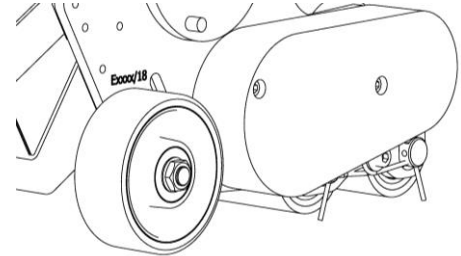
SERIAL NUMBER

Each **moviroll** is provided with its serial number.

Please find the serial number of your **moviroll** stamped on the **moviroll** frame, above the rear wheel.

Example in the picture on the right.

Please find the serial number also on the warranty sheet provided with the **moviroll**.



IMPORTANT:

Always communicate the serial number when requiring assistance or spare parts for your **moviroll**.

instructions for use

- Unpack the appliance and store the packaging material
- After unpacking, make sure that the appliance is intact with no visible signs of damage caused by transport. If in doubt, do not use the appliance and contact Renova srl
- Place the **moviroll** on a safe and flat surface that can support its weight
- Insert the battery into the special chassis. Previous recharge of the battery is not necessary
- Push the switch into the ON position
- 'Ready to go' on the **moviroll** display indicates that the appliance is ready to be used
- Forward gear always engaged. Press and hold the button to select the reverse gear (emergency). Release the button to return to forward gear.
- To start using the **MRE XS / MRE XS LPT / MRE XS L moviroll** to handle rolls just spin the accelerator handle.
- Push the switch into OFF position when the **moviroll** is not running to preserve the battery charge

PLEASE NOTE:

The **moviroll** battery roll pusher is equipped with reverse gear. Please use the reverse gear to release the **moviroll** from the roll, when the **moviroll** remains locked beneath the roll weight because of an obstacle or a wrong maneuver.

BATTERY STATUS

On the display (see the picture at page 8) the battery charge percentage is visible next to a bar indicator of variable length and color depending on the state of charge:

GREEN BAR	up to 40% battery charge
YELLOW BAR	from 40% to 20% battery charge
RED BAR	battery charge \leq 20%

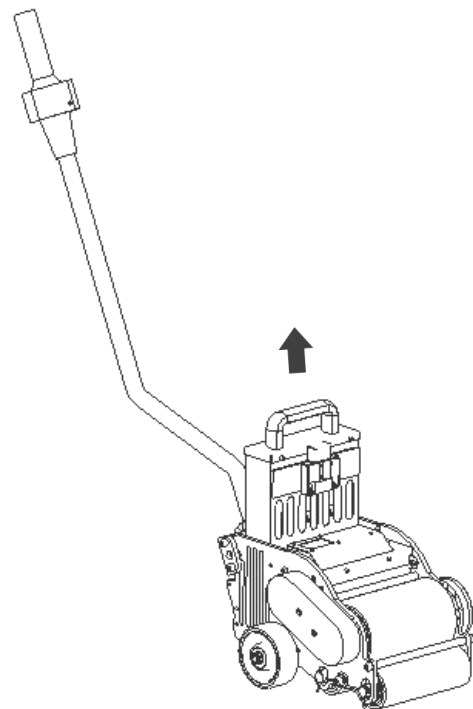


ATTENTION!

Use the **moviroll** only when GREEN and YELLOW charge indicator. Do not use the **moviroll** with RED bar to avoid any irreparably damage to the electronic unit and the battery. With RED charge indicator recharging the battery is mandatory before using the **moviroll** again.

BATTERY RECHARGE

- Push the switch into the OFF position
- **Remove the battery from the chassis (as in the picture)**
- Connect the battery charger to the mains supply.
A green LED on the battery charger now turns on.
- Insert the battery into the charger. The LED turns now RED.
- The estimated time of charging is about 4 hours (maximum time needed for a full recharge of the battery). The battery is full recharged when the LED will turn green.
- Please leave the battery under charge for about 30 minutes to stabilize the tension of the cells.
- After recharging the battery remove the battery from the charger, then unplug the charger from the mains supply. The red LED of the charger will remain lit for a bit of time even if cable unplugged.



ATTENTION!

For the full recharge of the battery, please use the battery charger supplied with the **moviroll** battery roll pusher. To not damage the battery please do not use different battery chargers.

BATTERY HANDLING PRECAUTIONS

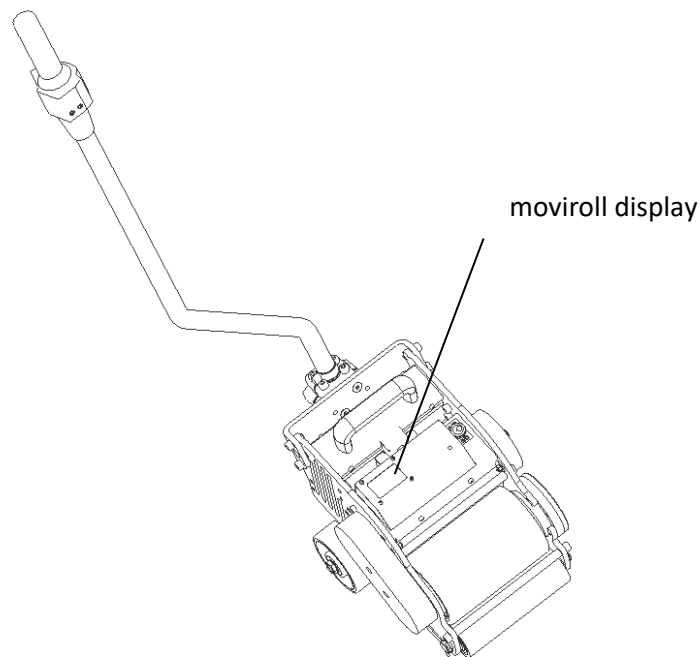
- Do not disassemble, crush or puncture the battery
- Do not dispose of a battery in fire
- Do not immerse the unit in any liquid
- Do not expose a battery to temperatures above 40°C (104°F) and below 5°C (41°F)
- Do not use a damaged battery
- Do not leave batteries unused for extended periods of time, either in the product or in storage

BATTERY STORAGE AND DISPOSAL

- Store the batteries separately from the product
- Store the batteries at temperatures between 15°C and 20°C (59°F and 68°F)
- Always check and follow your applicable regulations before disposing of a battery

malfunctions diagnosis

In case of anomaly or not functioning of the **moviroll** system, error messages will be shown in red on the display:



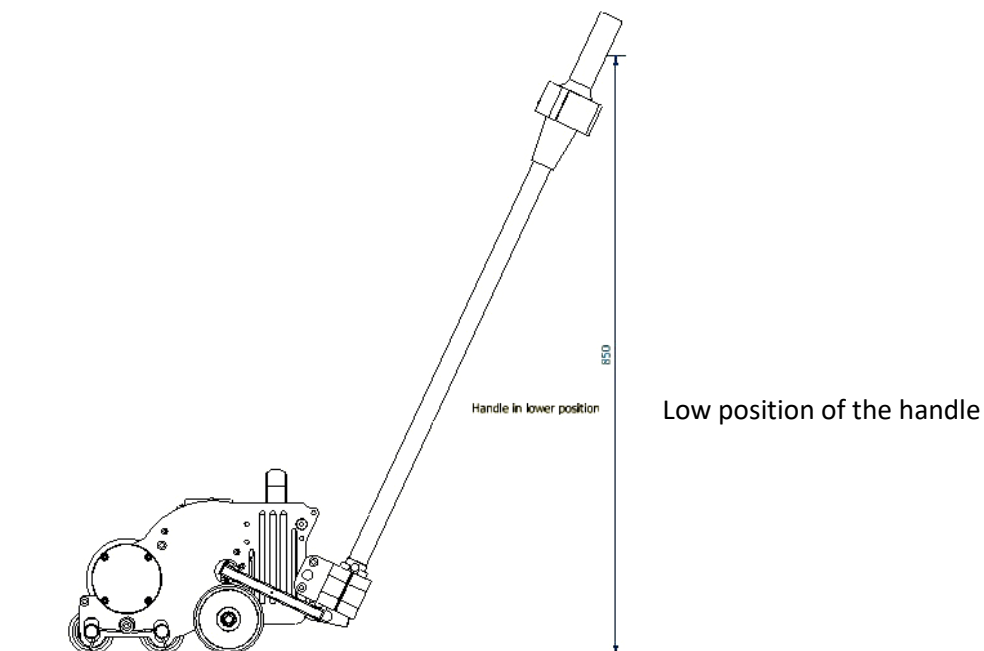
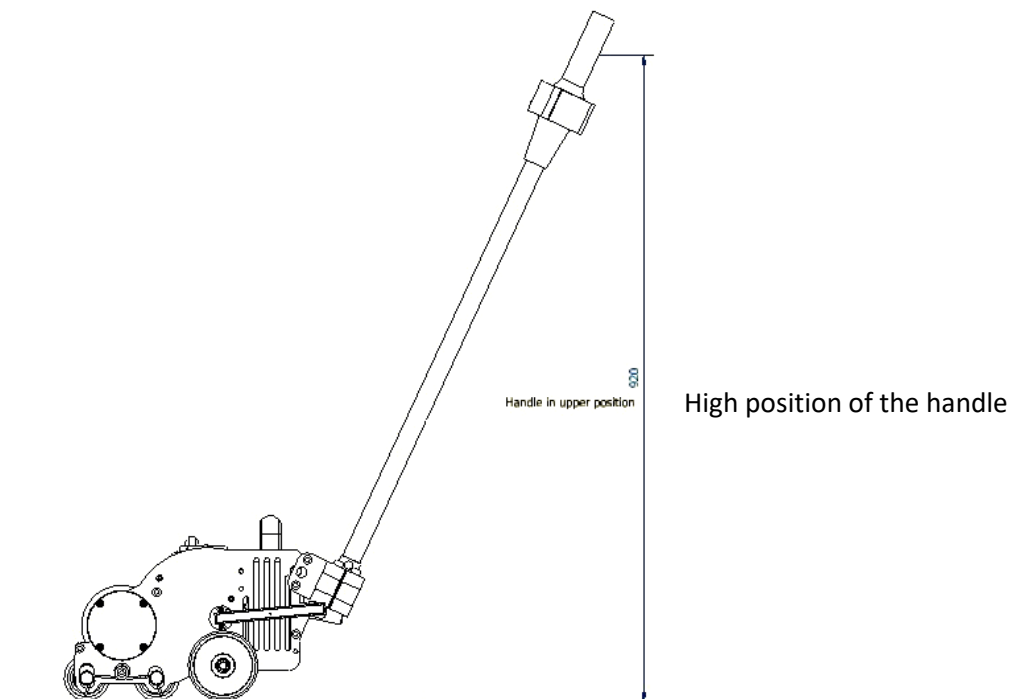
	POSSIBLE ERROR MESSAGES	SOLUTIONS/REMEDIES
E01	Motor already powered at start (forward gear)	Turn off/on with throttle in zero position
E02	Motor already powered at start (backward gear)	Turn off/on with throttle in zero position
E03	Battery tension too low	Charge the battery
E04	Battery tension too high	Use another battery and contact Renova
E05	Accelerator handle not at position 0 at start	Turn off/on with throttle in zero position
E06	Broken accelerator handle	Replace the throttle
E07	Overheating	Cool the engine and the electronic board
E08	Programming error eeprom	Turn off/on. If the problem persists, contact Renova
E09	Error on control's power	Turn off/on. If the problem persists, contact Renova
E10	Resolver not connected	Turn off/on. If the problem persists, contact Renova

PLEASE NOTE:

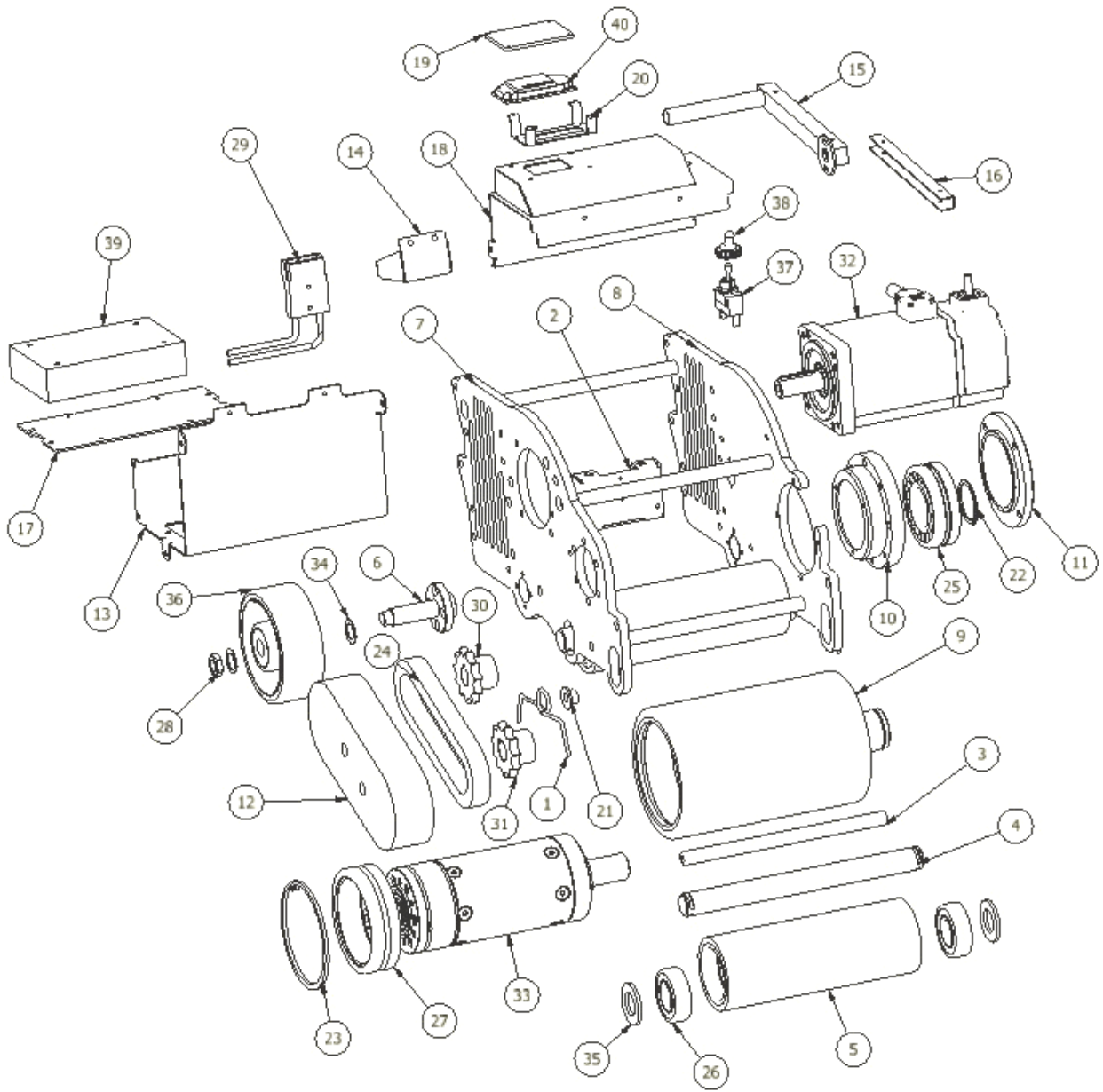
Please see warranty conditions on the warranty sheet.

handle height regulation

The **moviroll MRE XS**, **MRE XS LPT** and **MRE XS L** are supplied with handle in high position. However, it can be modified and positioned in the special low connection according to the operator's needs.



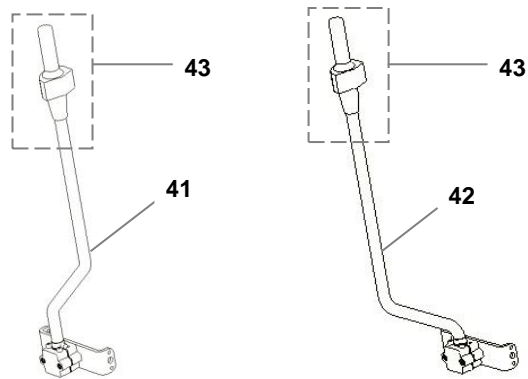
components descriptions and codes



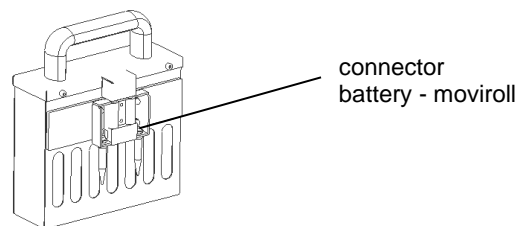
POSITION	CODES			DESCRIPTION	Q.TY
	MRE100 XS	MRE200 XS	MRE300 XS		
1	MREP0027	MREP0027	MREP0027	Spring	2
2	MREP0035	MREP0035	MREP0035	battery fixed centering	1
3	MREP0241	MREP0241	MREP0241	Rod	4
4	MREP0243	MREP0243	MREP0243	Rubber roller axis	2
5	MREP0253	MREP0253	MREP0253	Rubber roller	2
6	MREP0301	MREP0301	MREP0301	rear wheels axis	2
7	MREP0388	MREP0388	MREP0388	Shafts side frame	1
8	MREP0324	MREP0324	MREP0324	Flange side frame	1
9	MREP0387	MREP0387	MREP0387	Roller drive	2
10	MREP0328	MREP0328	MREP0328	Opened flange roller drive	1
11	MREP0329	MREP0329	MREP0329	Closed flange	1
12	MREP0330	MREP0330	MREP0359	Chain motor – gear box cover	1
13	MREP0332	MREP0332	MREP0332	Electronic board support	1
14	MREP0342	MREP0342	MREP0342	Wire cover for clamp	1
15	MREP0353	MREP0353	MREP0353	Wire cover handle/chassis	1
16	MREP0354	MREP0354	MREP0354	Motor wires cover	1
17	MREP0355	MREP0355	MREP0355	Electronic board support	1
18	MREP0382	MREP0382	MREP0382	Motor cover	1
19	MREP0374	MREP0374	MREP0374	Display cover	1
20	MREP0375	MREP0375	MREP0375	Display support	1
21	MVRP0020	MVRP0020	MVRP0020	Spring housing	2
22	A70-0020	A70-0020	A70-0020	Seeger for shaft ø35mm	1
23	A70-0022	A70-0022	A70-0022	Seeger for hole ø92mm	1
24	C10-0005	C10-0005	C10-0022	Simple chain	1
25	C27-0003	C27-0003	C27-0003	Swivel ball bearing	1
26	C30-0008	C30-0008	C30-0008	Ball bearing for rubber roller	4
27	C32-0004	C32-0004	C32-0004	Needle roller bearing	1
28	D14-0002	D14-0002	D14-0002	Bolt for wheels axis	2
29	E50-0085	E50-0085	E50-0085	Anderson 48V connector	1
30	I30-0025	I30-0025	I30-0025	Simple sprocket for motor	1
31	I30-0026	I30-0026	I30-0026	Simple sprocket for gear box	1
32	M65-0029	M65-0029	M65-0029	Brushless motor	1
33	R50-0019	R50-0020	R50-0022	Gear box	1
34	R60-0001	R60-0001	R60-0001	Washer for wheels	4
35	R60-0005	R60-0005	R60-0005	Washer for rubber roller	4
36	R95-0001	R95-0001	R95-0001	Rubber wheel	1
37	S15-0020	S15-0020	S15-0020	ON/OFF switch	1
38	S15-0021	S15-0021	S15-0021	Rubber cover for ON/OFF switch	1
39	S15-0036	S15-0036	S15-0036	Electronic board	1
40	S20-0023	S20-0023	S20-0023	Color display	1

POSITION	CODES			DESCRIPTION	Q.TY
	MRE100 XS LPT	MRE200 XS LPT	MRE300 XS LPT		
1	MREP0027	MREP0027	MREP0027	Spring	2
2	MREP0035	MREP0035	MREP0035	battery fixed centering	1
3	MREP0241	MREP0241	MREP0241	Rod	4
4	MREP0243	MREP0243	MREP0243	Rubber roller axis	2
5	MREP0253	MREP0253	MREP0253	Rubber roller	2
6	MREP0301	MREP0301	MREP0301	rear wheels axis	2
7	MREP0357	MREP0357	MREP0357	Shafts side frame	1
8	MREP0358	MREP0358	MREP0358	Flange side frame	1
9	MREP0360	MREP0360	MREP0360	Roller drive	2
10	MREP0328	MREP0328	MREP0328	Opened flange roller drive	1
11	MREP0329	MREP0329	MREP0329	Closed flange	1
12	MREP0359	MREP0359	MREP0359	Chain motor – gear box cover	1
13	MREP0332	MREP0332	MREP0332	Electronic board support	1
14	MREP0342	MREP0342	MREP0342	Wire cover for clamp	1
15	MREP0353	MREP0353	MREP0353	Wire cover handle/chassis	1
16	MREP0354	MREP0354	MREP0354	Motor wires cover	1
17	MREP0355	MREP0355	MREP0355	Electronic board support	1
18	MREP0382	MREP0382	MREP0382	Motor cover	1
19	MREP0374	MREP0374	MREP0374	Display cover	1
20	MREP0375	MREP0375	MREP0375	Display support	1
21	MVRP0020	MVRP0020	MVRP0020	Spring housing	2
22	A70-0020	A70-0020	A70-0020	Seeger for shaft ø35mm	1
23	A70-0022	A70-0022	A70-0022	Seeger for hole ø92mm	1
24	C10-0022	C10-0022	C10-0022	Simple chain	1
25	C27-0003	C27-0003	C27-0003	Swivel ball bearing	1
26	C30-0008	C30-0008	C30-0008	Ball bearing for rubber roller	4
27	C32-0004	C32-0004	C32-0004	Needle roller bearing	1
28	D14-0002	D14-0002	D14-0002	Bolt for wheels axis	2
29	E50-0085	E50-0085	E50-0085	Anderson 48V connector	1
30	I30-0025	I30-0025	I30-0025	Simple sprocket for motor	1
31	I30-0026	I30-0026	I30-0026	Simple sprocket for gear box	1
32	M65-0029	M65-0029	M65-0029	Brushless motor	1
33	R50-0019	R50-0020	R50-0022	Gear box	1
34	R60-0001	R60-0001	R60-0001	Washer for wheels	4
35	R60-0005	R60-0005	R60-0005	Washer for rubber roller	4
36	R95-0001	R95-0001	R95-0001	Rubber wheel	1
37	S15-0020	S15-0020	S15-0020	ON/OFF switch	1
38	S15-0021	S15-0021	S15-0021	Rubber cover for ON/OFF switch	1
39	S15-0036	S15-0036	S15-0036	Electronic board	1
40	S20-0023	S20-0023	S20-0023	Color display	1

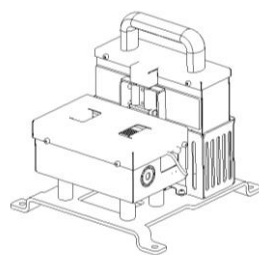
POSITION	CODES			DESCRIPTION	Q.TY
	MRE100 XS L	MRE200 XS L	MRE300 XS L		
1	MREP0027	MREP0027	MREP0027	Spring	2
2	MREP0035	MREP0035	MREP0035	battery fixed centering	1
3	MREP0241	MREP0241	MREP0241	Rod	4
4	MREP0243	MREP0243	MREP0243	Rubber roller axis	2
5	MREP0253	MREP0253	MREP0253	Rubber roller	2
6	MREP0301	MREP0301	MREP0301	rear wheels axis	2
7	MREP0323	MREP0323	MREP0357	Shafts side frame	1
8	MREP0324	MREP0324	MREP0358	Flange side frame	1
9	MREP0399	MREP0399	MREP0399	Roller drive	2
10	MREP0328	MREP0328	MREP0328	Opened flange roller drive	1
11	MREP0329	MREP0329	MREP0329	Closed flange	1
12	MREP0330	MREP0330	MREP0359	Chain motor – gear box cover	1
13	MREP0332	MREP0332	MREP0332	Electronic board support	1
14	MREP0342	MREP0342	MREP0342	Wire cover for clamp	1
15	MREP0353	MREP0353	MREP0353	Wire cover handle/chassis	1
16	MREP0354	MREP0354	MREP0354	Motor wires cover	1
17	MREP0355	MREP0355	MREP0355	Electronic board support	1
18	MREP0382	MREP0382	MREP0382	Motor cover	1
19	MREP0374	MREP0374	MREP0374	Display cover	1
20	MREP0375	MREP0375	MREP0375	Display support	1
21	MVRP0020	MVRP0020	MVRP0020	Spring housing	2
22	A70-0020	A70-0020	A70-0020	Seeger for shaft ø35mm	1
23	A70-0022	A70-0022	A70-0022	Seeger for hole ø92mm	1
24	C10-0005	C10-0005	C10-0022	Simple chain	1
25	C27-0003	C27-0003	C27-0003	Swivel ball bearing	1
26	C30-0008	C30-0008	C30-0008	Ball bearing for rubber roller	4
27	C32-0004	C32-0004	C32-0004	Needle roller bearing	1
28	D14-0002	D14-0002	D14-0002	Bolt for wheels axis	2
29	E50-0085	E50-0085	E50-0085	Anderson 48V connector	1
30	I30-0025	I30-0025	I30-0025	Simple sprocket for motor	1
31	I30-0026	I30-0026	I30-0026	Simple sprocket for gear box	1
32	M65-0029	M65-0029	M65-0029	Brushless motor	1
33	R50-0019	R50-0020	R50-0022	Gear box	1
34	R60-0001	R60-0001	R60-0001	Washer for wheels	4
35	R60-0005	R60-0005	R60-0005	Washer for rubber roller	4
36	R95-0001	R95-0001	R95-0001	Rubber wheel	1
37	S15-0020	S15-0020	S15-0020	ON/OFF switch	1
38	S15-0021	S15-0021	S15-0021	Rubber cover for ON/OFF switch	1
39	S15-0036	S15-0036	S15-0036	Electronic board	1
40	S20-0023	S20-0023	S20-0023	Color display	1



41	MREK0044	Long swivel handle kit MRE XS/XS LPT - hall sensor 1 button throttle
41	MREK0400	Long swivel handle kit MRE XS/XS LPT - potentiometer 2 buttons throttle
42	MREK0047	S 90° large handle kit MRE XS L - hall sensor 1 button throttle
42	MREK0401	S 90° large handle kit MRE XS L - potentiometer 2 buttons throttle
43	A20-0009	potentiometer 2 buttons throttle
43	A20-0006	hall sensor 1 button throttle



	KITBATTXS	battery 48 V
--	-----------	--------------



	KITCHRXS220	charger 220V 50-60 Hz SCHUKO PLUG
	KITCHRXS110	charger 110V 50-60 Hz 3 PIN US PLUG

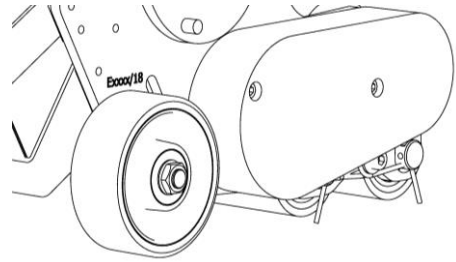
SPARE PARTS REQUEST

Please always communicate the serial number of your **moviroll** when requiring spare parts together with the code of the spare parts needed.

Each **moviroll** is provided with its serial number.

Please find the serial number of your **moviroll** stamped on the **moviroll** frame, above the rear wheel.

Example in the picture on the right.



Please find the serial number also on the warranty sheet provided with the **moviroll** and on the Declaration of Conformity in this manual.

instructions for a proper use

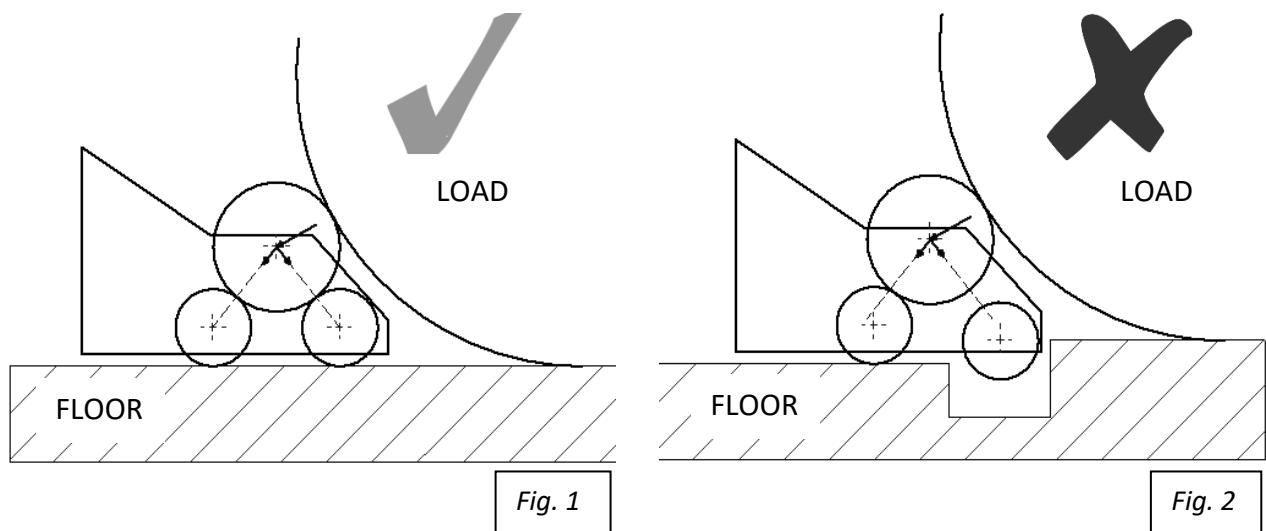
moviroll uses the power of a gear motor, which generates the capability of moving small or big loads through a pyramidal transmission with rollers.

The power transmission from the motor to the rollers begins when **moviroll** is touching the roll/load. The rollers on the ground allow the movement of the load in a continuous and regular way and the overcoming of small obstacles.

ⓘ Do not use **moviroll** on surfaces with obstacles and holes of big dimensions that may cause the detachment of one of the rollers from the roller drive.

Figure 1 shows how the weight of the roll/load should be unloaded on the rollers.

Figure 2 shows an example of how **moviroll** should not work in order to avoid the premature breakdown of the bearing of the roller drive due to an improper unloading of the roll/load weight on them.



ISOENCertifications S.r.l.



ISOENCertifications

ATTESTAZIONE DI CONFORMITÀ /CONFORMITY STATEMENT

dichiariamo che l'esame è stato effettuato secondo i sotto citati requisiti che il sottoscritto soggetto recepisce.
/we declare that the examination has been carried out according to the below mentioned requirements, that are acknowledged by the holder of the present Statement.

Secondo quanto descritto nel Fascicolo Tecnico costituito nell'anno 2015

/According to the content of the Technical File issued in 2015

RENOVA S.r.l.

Viale Rimembranze, 93

I - 20099 - Sesto San Giovanni (MI)

dichiara che il/i prodotto/i

/ declares that the product(s)

Descrizione ; Description:
Nome /Name:

**Spingi bobina
MOVIROLL**

Modello ; Model:

**MRE
MRE L
MRE LP
MRE LPT
MRE XS
MRE XSL
MRE XSLPT**



È CONFORME alle seguenti direttive:

/ FULFILL the requirements of the following directive(s):

alla Direttiva 2006/42/CE relativa alle macchine (procedura di valutazione in accordo all'allegato VIII)

/ according to the Machinery Directive for CE marking according to annex VIII

Norme applicate

/ applied standards

EN ISO 12100:2010



ISOENCertifications

ISOENCertifications s.r.l.

Sede Legale: via Suardi, 24 - 24124 BERGAMO

Sede Operativa: via Placinti, 1 - 24040 Macione (BG)

tel. 035 4997720 fax. 035 4943471

P.IVA & C.F. 03940380169

e-mail: info@isoe,certifications.it

website: www.isoencertifications.it

L'Amministratore Unico

ISOENCertifications S.r.l.

Niki Muller

prima emissione /first issue: 12/06/2015

data di revisione /revision date: Rev. A 12/06/2015

DICHIARAZIONE DI CONFORMITÀ
 alla Direttiva 2006/42/CE relativa alle macchine in accordo all'allegato IIA
 DECLARATION OF CONFORMITY
 according to 2006/42/EC machinery directive annex IIA

RENOVA s.r.l.

Viale Rimembranze, 93 – 20099 – Sesto San Giovanni (Milano)

DICHIARA CHE
/ DECLARE THAT

il prodotto/
 the product

Descrizione / description	Spingi bobina
Nome / Name	MOVIROLL
Modello / Model	MRE XS / MRE XS LPT / MRE XS L
Anno di fabbricazione e costituzione fascicolo tecnico/ Production year	2015
N° matricola	



E' CONFORME
/ FULFILLS

alle seguenti Direttive Europee:
 the requirements of the Directive:

**alla Direttiva 2006/42/CE relativa alle macchine
 (procedura di valutazione in accordo all'allegato VIII)
 directive 2006/42/EC "Machinery directive"
 (conformity assessment according to annex VIII)**

Norme applicate/applied standards
 EN ISO 12100:2010

Nome e indirizzo della persona stabilita nella Comunità europea, autorizzata a costituire il fascicolo tecnico /
 Name and address of the person established in the EU Community authorized to compile the technical file

Ugo Re	Amministratore / General manager	
Nome / name	Funzione / function	Firma / signature

Firma della persona autorizzata a redigere la dichiarazione a nome del fabbricante o del suo mandatario
 Signature of the person empowered to draw up the declaration on behalf of the manufacturer or his authorized representative

Ugo Re	Amministratore / General manager	
Nome / name	Funzione / function	Firma / signature
Luogo / Place MILANO	Data / date	

	DICHIARAZIONE DI CONFORMITÀ UE EU DECLARATION OF CONFORMITY
	<p>In accordo alla direttiva 2014/34/UE del Parlamento europeo e del Consiglio, del 26 febbraio 2014 , concernente l'armonizzazione delle legislazioni degli Stati membri relative agli apparecchi e sistemi di protezione destinati a essere utilizzati in atmosfera potenzialmente <i>According to 2014/34/EU directive on the harmonisation of the laws of the Member States relating to equipment and protective systems intended for use in potentially explosive atmospheres</i></p>

Ragione sociale / manufacturer	RENOVA SRL Sede legale/legal site: Via Palmanova 24 20132 Milano Sede operativa/operative site: Viale Rimembranze 93 20099 Sesto San Giovanni(MI)-Italy
---	--

dichiara che / declare that

Prodotto/Product Name	Spingi bobine ed attrezzature e per la movimentazione di carrelli Reel pushers and equipment and for cart handling
Tipologie/Types	Movicart Moviroll
Categoria ATEX ATEX category	3
Matricola/serial number	

E' CONFORME
FULFILS

alla Direttiva Europea **2014/34/UE**
the European Directive **2014/34/EU**

Prodotto di categoria 3 per zone ATEX 2-22/ ATEX category 3product for 1-22 ATEX classified zone



Sono stati applicati i seguenti standard tecnici
The following technical standards have been applied:

EN 1127-1:2019
EN ISO 80079-36:2016 (ex EN 13463 – 1)
EN ISO 80079-37:2016 (ex EN 13463 – 5)
Controllo interno della fabbricazione in accordo alla EN ISO/IEC 80079-34:2020
Interna Fabrication Control according to EN ISO/IEC 80079-34:2020

RENOVA applicando il marchio **CE** garantisce che il progetto, la costruzione delle attrezzature sopra menzionate rispondono ai requisiti della Direttiva **2014/34/UE**
La presente dichiarazione di conformità è rilasciata sotto la responsabilità esclusiva del fabbricante.

RENOVA by using the **CE** marking guarantee that design, construction of equipment mentioned above fulfill the requirements of the Directive **2014/34/EU**
This declaration of conformity is issued under the sole responsibility of the manufacturer.

To order spares please contact Jarshire on

01753 825122

or email sales@jarshire.co.uk

Jarshire Ltd, Lime Barn, Blounts Farm, Blounts Court Road
Sonning Common, Oxfordshire RG4 9PA
www.jarshire.co.uk

JARSHIRE
PAPER • CONVERTING • CORRUGATING • HANDLING SYSTEMS