



battery roll pusher

MRE 100 XS | MRE 200 XS | MRE 300 XS
MRE 100 XS L | MRE 200 XS L | MRE 300 XS L
MRE 100 XS LPT | MRE 200 XS LPT | MRE 300 XS LPT

SPARES LIST



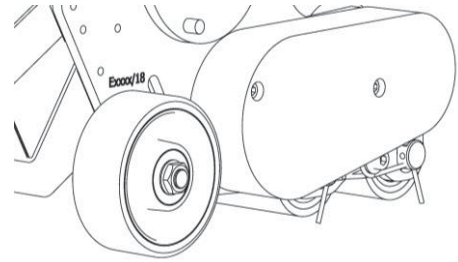
SPARE PARTS REQUEST

Please always communicate the serial number of your **moviroll** when requiring spare parts together with the code of the spare parts needed.

Each **moviroll** is provided with its serial number.

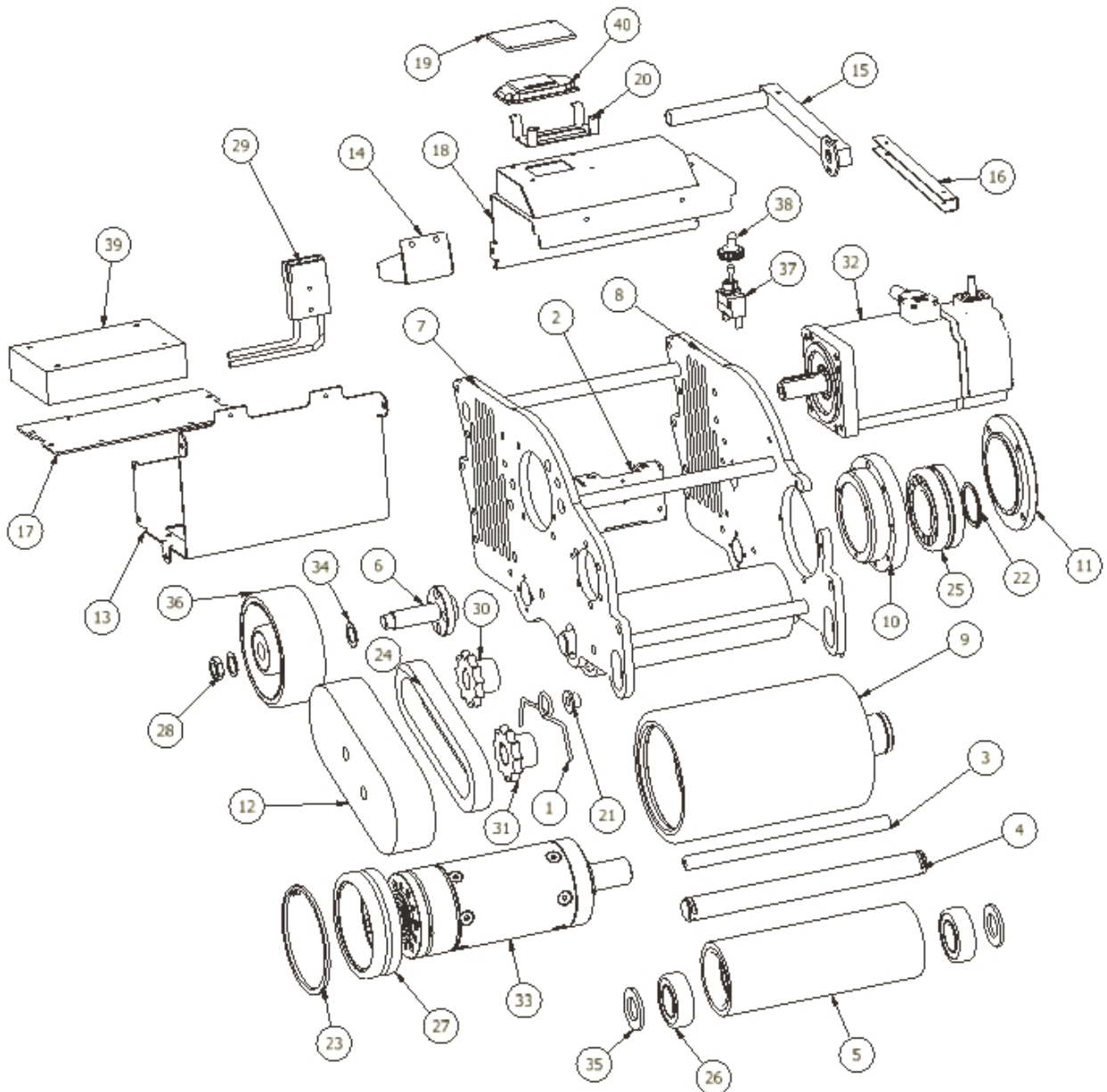
Please find the serial number of your **moviroll** stamped on the **moviroll** frame, above the rear wheel.

Example in the picture on the right.



Please find the serial number also on the warranty sheet provided with the **moviroll** and on the Declaration of Conformity in this manual.

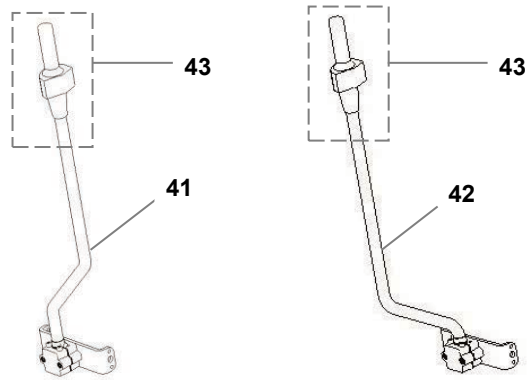
components descriptions and codes



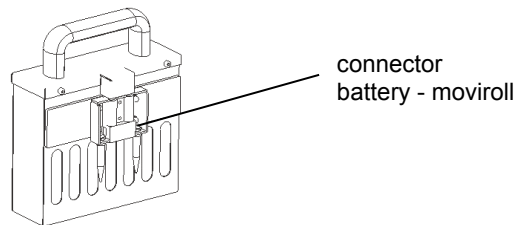
POSITION	CODES			DESCRIPTION	Q.TY
	MRE100 XS	MRE200 XS	MRE300 XS		
1	MREP0027	MREP0027	MREP0027	Spring	2
2	MREP0035	MREP0035	MREP0035	battery fixed centering	1
3	MREP0241	MREP0241	MREP0241	Rod	4
4	MREP0243	MREP0243	MREP0243	Rubber roller axis	2
5	MREP0253	MREP0253	MREP0253	Rubber roller	2
6	MREP0301	MREP0301	MREP0301	rear wheels axis	2
7	MREP0388	MREP0388	MREP0388	Shafts side frame	1
8	MREP0324	MREP0324	MREP0324	Flange side frame	1
9	MREP0387	MREP0387	MREP0387	Roller drive	2
10	MREP0328	MREP0328	MREP0328	Opened flange roller drive	1
11	MREP0329	MREP0329	MREP0329	Closed flange	1
12	MREP0330	MREP0330	MREP0359	Chain motor – gear box cover	1
13	MREP0332	MREP0332	MREP0332	Electronic board support	1
14	MREP0342	MREP0342	MREP0342	Wire cover for clamp	1
15	MREP0353	MREP0353	MREP0353	Wire cover handle/chassis	1
16	MREP0354	MREP0354	MREP0354	Motor wires cover	1
17	MREP0355	MREP0355	MREP0355	Electronic board support	1
18	MREP0382	MREP0382	MREP0382	Motor cover	1
19	MREP0374	MREP0374	MREP0374	Display cover	1
20	MREP0375	MREP0375	MREP0375	Display support	1
21	MVRP0020	MVRP0020	MVRP0020	Spring housing	2
22	A70-0020	A70-0020	A70-0020	Seeger for shaft ø35mm	1
23	A70-0022	A70-0022	A70-0022	Seeger for hole ø92mm	1
24	C10-0005	C10-0005	C10-0022	Simple chain	1
25	C27-0003	C27-0003	C27-0003	Swivel ball bearing	1
26	C30-0008	C30-0008	C30-0008	Ball bearing for rubber roller	4
27	C32-0004	C32-0004	C32-0004	Needle roller bearing	1
28	D14-0002	D14-0002	D14-0002	Bolt for wheels axis	2
29	E50-0085	E50-0085	E50-0085	Anderson 48V connector	1
30	I30-0025	I30-0025	I30-0025	Simple sprocket for motor	1
31	I30-0026	I30-0026	I30-0026	Simple sprocket for gear box	1
32	M65-0029	M65-0029	M65-0029	Brushless motor	1
33	R50-0019	R50-0020	R50-0022	Gear box	1
34	R60-0001	R60-0001	R60-0001	Washer for wheels	4
35	R60-0005	R60-0005	R60-0005	Washer for rubber roller	4
36	R95-0001	R95-0001	R95-0001	Rubber wheel	1
37	S15-0020	S15-0020	S15-0020	ON/OFF switch	1
38	S15-0021	S15-0021	S15-0021	Rubber cover for ON/OFF switch	1
39	S15-0036	S15-0036	S15-0036	Electronic board	1
40	S20-0023	S20-0023	S20-0023	Color display	1

POSITION	CODES			DESCRIPTION	Q.TY
	MRE100 XS LPT	MRE200 XS LPT	MRE300 XS LPT		
1	MREP0027	MREP0027	MREP0027	Spring	2
2	MREP0035	MREP0035	MREP0035	battery fixed centering	1
3	MREP0241	MREP0241	MREP0241	Rod	4
4	MREP0243	MREP0243	MREP0243	Rubber roller axis	2
5	MREP0253	MREP0253	MREP0253	Rubber roller	2
6	MREP0301	MREP0301	MREP0301	rear wheels axis	2
7	MREP0357	MREP0357	MREP0357	Shafts side frame	1
8	MREP0358	MREP0358	MREP0358	Flange side frame	1
9	MREP0360	MREP0360	MREP0360	Roller drive	2
10	MREP0328	MREP0328	MREP0328	Opened flange roller drive	1
11	MREP0329	MREP0329	MREP0329	Closed flange	1
12	MREP0359	MREP0359	MREP0359	Chain motor – gear box cover	1
13	MREP0332	MREP0332	MREP0332	Electronic board support	1
14	MREP0342	MREP0342	MREP0342	Wire cover for clamp	1
15	MREP0353	MREP0353	MREP0353	Wire cover handle/chassis	1
16	MREP0354	MREP0354	MREP0354	Motor wires cover	1
17	MREP0355	MREP0355	MREP0355	Electronic board support	1
18	MREP0382	MREP0382	MREP0382	Motor cover	1
19	MREP0374	MREP0374	MREP0374	Display cover	1
20	MREP0375	MREP0375	MREP0375	Display support	1
21	MVRP0020	MVRP0020	MVRP0020	Spring housing	2
22	A70-0020	A70-0020	A70-0020	Seeger for shaft ø35mm	1
23	A70-0022	A70-0022	A70-0022	Seeger for hole ø92mm	1
24	C10-0022	C10-0022	C10-0022	Simple chain	1
25	C27-0003	C27-0003	C27-0003	Swivel ball bearing	1
26	C30-0008	C30-0008	C30-0008	Ball bearing for rubber roller	4
27	C32-0004	C32-0004	C32-0004	Needle roller bearing	1
28	D14-0002	D14-0002	D14-0002	Bolt for wheels axis	2
29	E50-0085	E50-0085	E50-0085	Anderson 48V connector	1
30	I30-0025	I30-0025	I30-0025	Simple sprocket for motor	1
31	I30-0026	I30-0026	I30-0026	Simple sprocket for gear box	1
32	M65-0029	M65-0029	M65-0029	Brushless motor	1
33	R50-0019	R50-0020	R50-0022	Gear box	1
34	R60-0001	R60-0001	R60-0001	Washer for wheels	4
35	R60-0005	R60-0005	R60-0005	Washer for rubber roller	4
36	R95-0001	R95-0001	R95-0001	Rubber wheel	1
37	S15-0020	S15-0020	S15-0020	ON/OFF switch	1
38	S15-0021	S15-0021	S15-0021	Rubber cover for ON/OFF switch	1
39	S15-0036	S15-0036	S15-0036	Electronic board	1
40	S20-0023	S20-0023	S20-0023	Color display	1

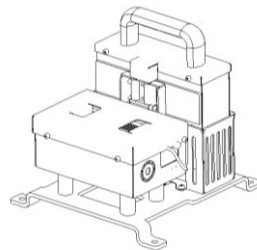
POSITION	CODES			DESCRIPTION	Q.TY
	MRE100 XS L	MRE200 XS L	MRE300 XS L		
1	MREP0027	MREP0027	MREP0027	Spring	2
2	MREP0035	MREP0035	MREP0035	battery fixed centering	1
3	MREP0241	MREP0241	MREP0241	Rod	4
4	MREP0243	MREP0243	MREP0243	Rubber roller axis	2
5	MREP0253	MREP0253	MREP0253	Rubber roller	2
6	MREP0301	MREP0301	MREP0301	rear wheels axis	2
7	MREP0323	MREP0323	MREP0357	Shafts side frame	1
8	MREP0324	MREP0324	MREP0358	Flange side frame	1
9	MREP0399	MREP0399	MREP0399	Roller drive	2
10	MREP0328	MREP0328	MREP0328	Opened flange roller drive	1
11	MREP0329	MREP0329	MREP0329	Closed flange	1
12	MREP0330	MREP0330	MREP0359	Chain motor – gear box cover	1
13	MREP0332	MREP0332	MREP0332	Electronic board support	1
14	MREP0342	MREP0342	MREP0342	Wire cover for clamp	1
15	MREP0353	MREP0353	MREP0353	Wire cover handle/chassis	1
16	MREP0354	MREP0354	MREP0354	Motor wires cover	1
17	MREP0355	MREP0355	MREP0355	Electronic board support	1
18	MREP0382	MREP0382	MREP0382	Motor cover	1
19	MREP0374	MREP0374	MREP0374	Display cover	1
20	MREP0375	MREP0375	MREP0375	Display support	1
21	MVRP0020	MVRP0020	MVRP0020	Spring housing	2
22	A70-0020	A70-0020	A70-0020	Seeger for shaft ø35mm	1
23	A70-0022	A70-0022	A70-0022	Seeger for hole ø92mm	1
24	C10-0005	C10-0005	C10-0022	Simple chain	1
25	C27-0003	C27-0003	C27-0003	Swivel ball bearing	1
26	C30-0008	C30-0008	C30-0008	Ball bearing for rubber roller	4
27	C32-0004	C32-0004	C32-0004	Needle roller bearing	1
28	D14-0002	D14-0002	D14-0002	Bolt for wheels axis	2
29	E50-0085	E50-0085	E50-0085	Anderson 48V connector	1
30	I30-0025	I30-0025	I30-0025	Simple sprocket for motor	1
31	I30-0026	I30-0026	I30-0026	Simple sprocket for gear box	1
32	M65-0029	M65-0029	M65-0029	Brushless motor	1
33	R50-0019	R50-0020	R50-0022	Gear box	1
34	R60-0001	R60-0001	R60-0001	Washer for wheels	4
35	R60-0005	R60-0005	R60-0005	Washer for rubber roller	4
36	R95-0001	R95-0001	R95-0001	Rubber wheel	1
37	S15-0020	S15-0020	S15-0020	ON/OFF switch	1
38	S15-0021	S15-0021	S15-0021	Rubber cover for ON/OFF switch	1
39	S15-0036	S15-0036	S15-0036	Electronic board	1
40	S20-0023	S20-0023	S20-0023	Color display	1



41	MREK0044	Long swivel handle kit MRE XS/XS LPT - hall sensor 1 button throttle
41	MREK0400	Long swivel handle kit MRE XS/XS LPT - potentiometer 2 buttons throttle
42	MREK0047	S 90° large handle kit MRE XS L - hall sensor 1 button throttle
42	MREK0401	S 90° large handle kit MRE XS L - potentiometer 2 buttons throttle
43	A20-0009	potentiometer 2 buttons throttle
43	A20-0006	hall sensor 1 button throttle



	KITBATTXS	battery 48 V
--	-----------	--------------



	KITCHRXS220	charger 220V 50-60 Hz SCHUKO PLUG
	KITCHRXS110	charger 110V 50-60 Hz 3 PIN US PLUG

To order spares please contact Jarshire on

01753 825122

or email sales@jarshire.co.uk